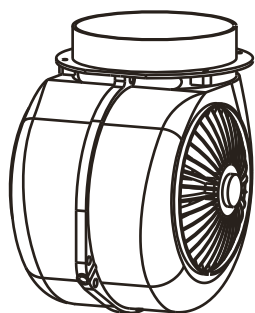


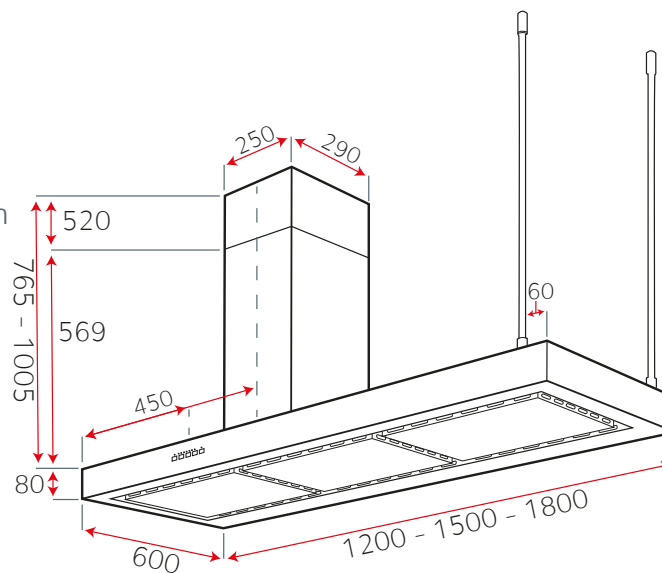


Reducer Collar reduces the motor exhaust from 150mm to 125mm if required (Already supplied in box)

Please note this hood must be installed on a minimum of 125mm Ducting - We highly recommend 150mm

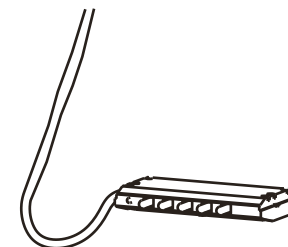


Spare Motor 90 m³/hr
- 'A' Rated Energy Efficient
- Fits Models 120cm - 180cm

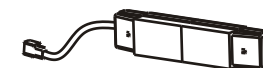


Replacement Switch
- Electronic Touch Control

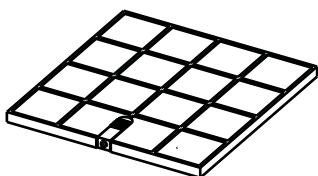
Please contact Luxair for further information



LED Driver
Please contact Luxair for more information



6 to 8x 3w LED Spot Lights
(Depending on size of hood)



1x Charcoal Square 9

Please note this filter fits directly under the motor. A screw fixing is located behind the metal grease filters

Mesh Grills (current Models)

LA-Arezzo-ISL x3 330x230

Please note you must measure your mesh grill size. Older models will have different sizes to current models
tt

